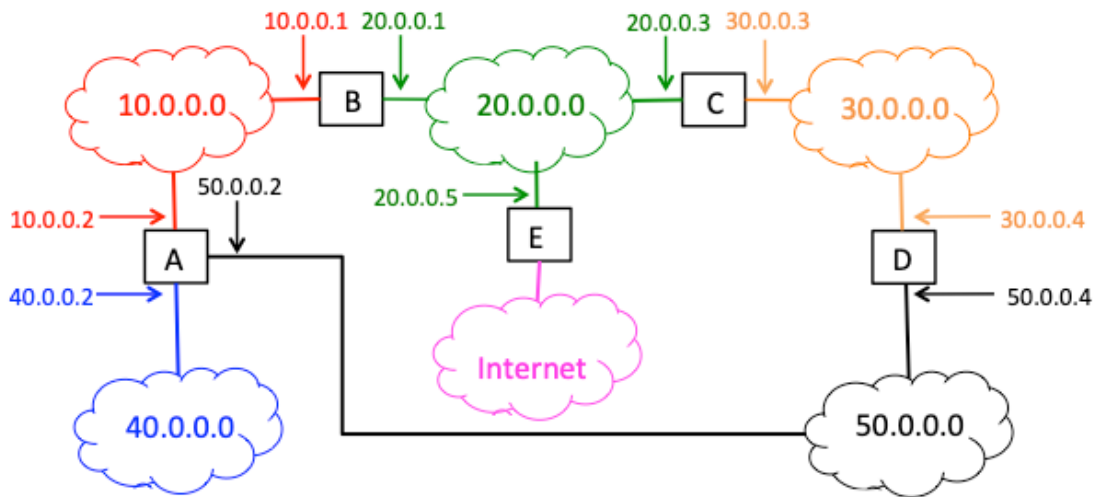


- Instructions**
- Answer Question 1 on the exam paper.
 - Answer Questions 2-5 on the yellow paper.
 - **One question per page, use only one side of the yellow paper.**
 - Write your name on the exam paper.
 - Write your name and version number on the top of the yellow paper.

1. (24 Points) Show the most efficient routing tables for routers A, B, C, and D. Make sure you account for traffic to the Internet. Use the shortest possible route. Router E should only be used for Internet traffic.



	Router A	Router B	Router C	Router D
Network	Next Hop	Next Hop	Next Hop	Next Hop
10.0.0.0	DIRECT	DIRECT	20.0.0.1	50.0.0.2
20.0.0.0	10.0.0.1	DIRECT	DIRECT	30.0.0.3
30.0.0.0	50.0.0.4	20.0.0.3	DIRECT	DIRECT
40.0.0.0	DIRECT	10.0.0.2	20.0.0.1	50.0.0.2
50.0.0.0	DIRECT	10.0.0.2	30.0.0.4	DIRECT
Default	10.0.0.1	20.0.0.5	20.0.0.5	30.0.0.3